

MINItherm

Technical Data Low Profile Horizontal Series



Model Number	Air Flow	External Static Pressure	Total Cooling Capacity	Sensible Cooling Capacity	Heating Capacity	No. of Fans	Absorbed Power	Fan Speed	Motor Power	Motor Full Load Current
	L/s	Pa	kW	kW	kW		kW	rps	kW	Amps
HMEL0450	450	450	12.2	8.2	8.9	1	0.5	44	0.8	3.7
HMEL0750	740	450	19.7	13.3	15.9	1	0.7	49	0.8	3.7
HMEL1000	1030	450	26.9	18.3	22.7	1	1.2	48	2.5	3.8
HMEL1300	1320	450	35.7	24.0	29.6	1	1.8	56	2.5	3.8
HMEL1600	1610	450	43.5	29.3	36.6	2	0.9 x 2	43	2.5 x 2	3.84 x 2

Air flow and coil performance are at 2.5m/s coil face velocity.
Cooling Capacities are based on 6 row 472fin/m coils with entering air conditions of 26/19°C and water temperatures of 6/12°C.
Heating Capacities are based on 1 row 394fin/m coils with entering air at 12°C and water temperatures of 80/65°C.
Absorbed power, motor power and current (per fan x no of fans).

Acoustic Data Low Profile Horizontal Series



Model Number	Air Flow	External Static Pressure	Sound Power Spectrum Db*								
				63 Hz	125 Hz	250 Hz	500 Hz	1000 Hz	2000 Hz	4000 Hz	8000 Hz
HMEL0450	450	450	In Duct	72	68	76	72	73	72	66	63
			Breakout	63	55	61	53	52	45	35	32
HMEL0750	740	450	In Duct	71	66	76	75	76	74	70	67
			Breakout	62	54	60	57	55	47	38	35
HMEL1000	1030	450	In Duct	70	70	80	79	82	80	75	72
			Breakout	61	58	65	61	60	52	44	40
HMEL1300	1320	450	In Duct	76	74	82	85	87	85	80	77
			Breakout	67	63	68	68	65	57	49	45
HMEL1600	1610	450	In Duct	70	70	79	78	82	80	75	71
			Breakout	63	60	65	62	60	52	43	40

* Sound power includes multiple fans where applicable.



Performance Data Cooling Coil Low Profile Horizontal Series



Model Number	Air Flow	Cooling Coil	Air On DB / WB	Air Off DB / WB	Total Capacity	Sensible Capacity	Water Flow	Entering / Leaving water temp	Water Pressure Drop	Air Pressure Drop
	L/s	Rows / (Fins/m)	°C	°C	kW	kW	L/s	°C	kPa	Pa
HMEL0450	450	6/472	23 / 17	10.6 / 10.5	9.4	6.8	0.4	6 / 12	30	192
		6/472	26 / 19	11.1 / 11.0	12.2	8.2	0.5	6 / 12	47	192
		6/472	35 / 24	13.4 / 13.2	18.9	11.9	0.8	6 / 12	16	192
HMEL0750	740	6/472	23 / 17	10.8 / 10.6	15.1	11.1	0.6	6 / 12	15	191
		6/472	26 / 19	11.3 / 11.1	19.7	13.3	0.8	6 / 12	24	191
		6/472	35 / 24	13.1 / 12.8	31.9	19.8	1.3	6 / 12	20	191
HMEL1000	1030	6/472	23 / 17	10.4 / 10.3	22.1	15.8	0.9	6 / 12	37	190
		6/472	26 / 19	11.4 / 11.3	26.9	18.3	1.1	6 / 12	18	190
		6/472	35 / 24	13.0 / 12.8	44.6	27.7	1.8	6 / 12	22	190
HMEL1300	1320	6/472	23 / 17	10.7 / 10.5	27.3	19.9	1.1	6 / 12	23	190
		6/472	26 / 19	11.1 / 11.0	35.7	24.0	1.4	6 / 12	36	190
		6/472	35 / 24	13.6 / 13.3	54.9	34.6	2.2	6 / 12	16	190
HMEL1600	1610	6/472	23 / 17	10.4 / 10.3	34.5	24.7	1.4	6 / 12	40	190
		6/472	26 / 19	11.1 / 11.0	43.5	29.3	1.7	6 / 12	29	190
		6/472	35 / 24	12.9 / 12.7	70.1	43.4	2.8	6 / 12	28	190

Air flow and coil performance are at 2.5m/s coil face velocity.

Performance Data Heating Coil Low Profile Horizontal Series

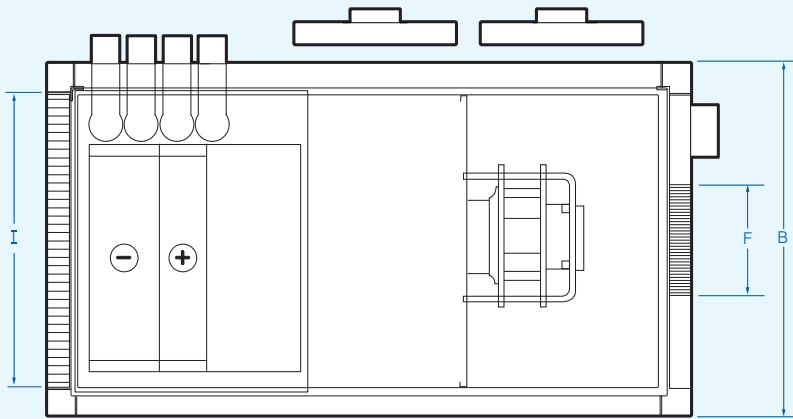


Model Number	Air Flow	Heating Coil	Air On DB	Air Off DB	Total Capacity	Water Flow	Entering / Leaving water temp	Water Pressure Drop	Air Pressure Drop
	L/s	Rows / (Fins/m)	°C	°C	kW	L/s	°C	kPa	Pa
HMEL0450	450	1 / 394	12	28.2	8.9	0.2	80 / 65	1	18
HMEL0750	740	1 / 394	12	29.5	15.9	0.3	80 / 65	3	18
HMEL1000	1030	1 / 394	12	30.1	22.7	0.4	80 / 65	7	18
HMEL1300	1320	1 / 394	12	30.3	29.6	0.5	80 / 65	13	18
HMEL1600	1610	1 / 394	12	30.6	36.6	0.6	80 / 65	22	18

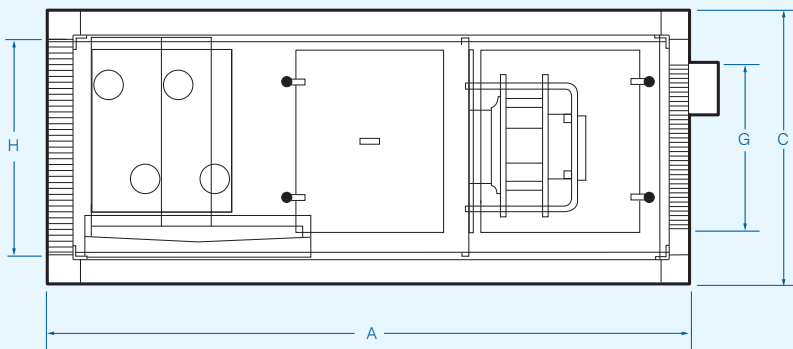
Air flow and coil performance are at 2.5m/s coil face velocity.

MINItherm

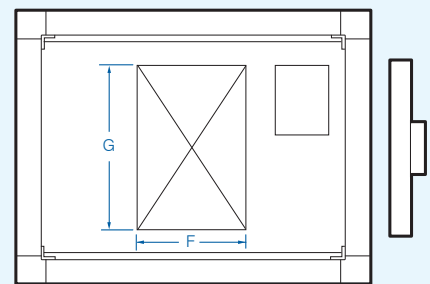
Dimensional Data Low Profile Series



Top View



Right Side View



Back View

Model Number	Length	Width	Height	S/A Opening*		R/A Opening#		Weight
	A	B	C	F	G	H	I	kg
HMEL0450-FCO	1468	810	620	300	380	470	660	117
HMEL0750-FCO	1468	1115	620	605	380	470	965	145
HMEL1000-FCO	1468	1420	620	910	380	470	1270	182
HMEL1300-FCO	1620	1725	620	1215	380	470	1575	230
HMEL1600-FCO	1620	2030	620	1520	380	470	1880	266

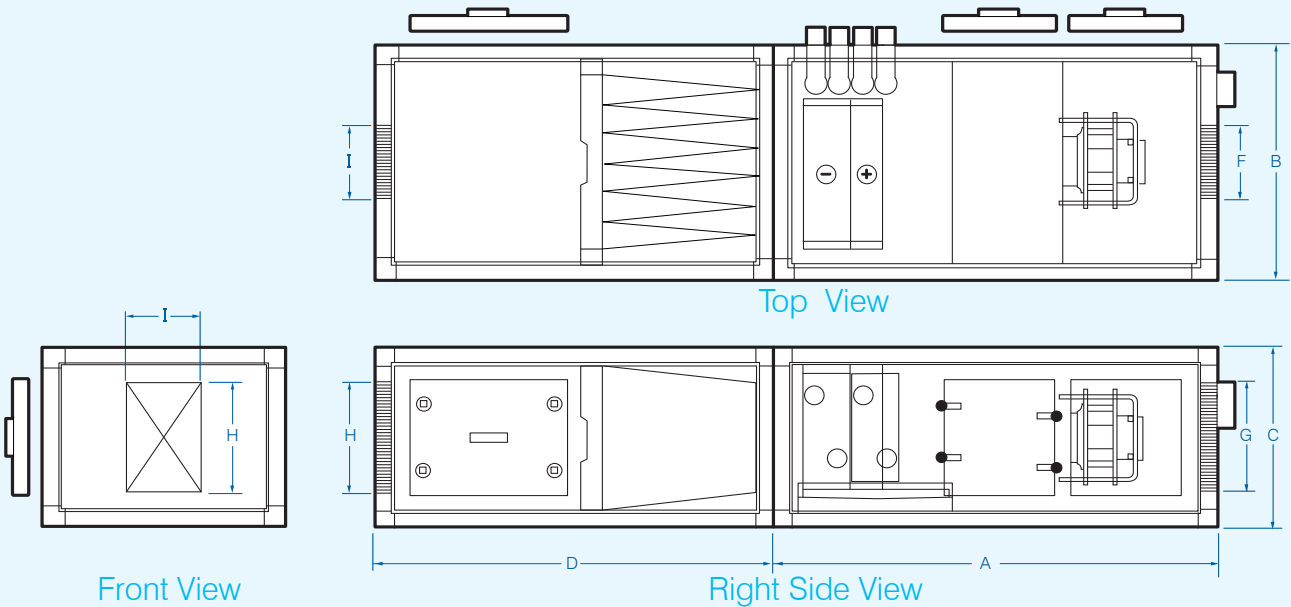
All dimensions in mm.
*S/A Opening = Outlet.
R/A Opening = Inlet.



Dimensional Data

Filter & Mixing Box

Low Profile Series



Model Number	Length	Width	Height	FPL Length	S/A Opening*		R/A Opening#		Weight kg
	A	B	C	D	F	G	H	I	
HMEL0450-FPL	1468	810	620	1315	300	380	380	570	66
HMEL0750-FPL	1468	1115	620	1315	605	380	380	875	79
HMEL1000-FPL	1468	1420	620	1315	910	380	380	1180	92
HMEL1300-FPL	1620	1725	620	1315	1215	380	380	1485	106
HMEL1600-FPL	1620	2030	620	1315	1520	380	380	1790	119

All dimensions in mm.
 *S/A Opening = Outlet.
 #R/A Opening = Inlet.