



## Technical Data

### Horizontal & Vertical Plant Room

Model Number	Air Flow	External Static Pressure	Total Cooling Capacity	Sensible Cooling Capacity	Heating Capacity	No. of Fans	Absorbed Power	Fan Speed	Motor Power	Motor Full Load Current
	L/s	Pa	kW	kW	kW		kW	rps	kW	Amps
HMEP / VMPE0650	670	450	16.2	11.4	13.5	1	0.8	49	0.8	3.7
HMEP / VMPE1100	1100	450	29.7	20.0	23.9	1	1.4	50	2.5	3.8
HMEP / VMPE1550	1540	450	40.9	27.7	34.5	1	1.7	36	2.4	3.7
HMEP / VMPE1950	1980	310	51.6	35.2	45.0	1	2.1	40	2.4	3.7
HMEP / VMPE2400	2410	450	65.1	43.8	55.5	2	1.6 x 2	53	2.5 x 2	3.8 x 2
HMEP / VMPE3500	3630	450	94.3	63.4	79.3	2	2 x 2	38	2.4 x 2	3.7 x 2
HMEP / VMPE3100	3086	450	81.4	55.3	68.1	1	3.7	33	5.4	8.2
HMEP / VMPE3950	3958	420	106.9	71.9	88.6	1	4.4	29	5.0	7.7
HMEP / VMPE4800	4829	450	130.5	87.8	109.7	2	2.7 x 2	29	5.4 x 2	8.2 x 2
HMEP / VMPE5900	5902	450	159.5	107.3	134.1	2	3.5 x 2	32	5.4 x 2	8.2 x 2
HMEP / VMPE7000	6975	450	188.5	126.8	158.4	2	3.8 x 2	27	5 x 2	7.7 x 2
HMEP / VMPE8300	8234	450	214.7	146.4	181.7	2	4.8 x 2	30	6 x 2	9 x 2
HMEP / VMPE9500	9493	450	252.0	170.7	209.5	3	3.4 x 3	26	5 x 3	7.7 x 3

Air flow and coil performance are at 2.5m/s coil face velocity.  
 Cooling Capacities are based on 6 row 472fin/m coils with entering air conditions of 26/19°C and water temperatures of 6/12 °C.  
 Heating Capacities are based on 1 row 394fin/m coils with entering air at 12°C and water temperatures of 80/65 °C.  
 Absorbed power, motor power and current (per fan x no of fans).  
 HMEP= Horizontal MINItherm EC Plantroom, VMPE=Vertical MINItherm Plantroom.

## Acoustic Data

### Horizontal & Vertical Plant Room

Model Number	Air Flow	External Static Pressure	Sound Power Spectrum dB*								
				63 Hz	125 Hz	250 Hz	500 Hz	1000 Hz	2000 Hz	4000 Hz	8000 Hz
HMEP / VMPE0650	670	450	In Duct	70	65	75	74	76	74	69	66
			Breakout	61	52	60	55	54	46	38	34
HMEP / VMPE1100	1100	450	In Duct	71	71	80	80	83	81	77	73
			Breakout	62	58	65	61	61	53	45	41
HMEP / VMPE1550	1540	450	In Duct	68	68	80	77	79	76	72	73
			Breakout	60	56	65	59	57	47	40	41
HMEP / VMPE1950	1980	310	In Duct	73	75	86	81	84	82	76	82
			Breakout	65	63	72	64	62	53	44	50
HMEP / VMPE2400	2410	450	In Duct	76	76	83	86	88	86	82	78
			Breakout	68	65	69	69	65	57	49	45
HMEP / VMPE3500	3630	450	In Duct	79	81	90	88	88	82	79	77
			Breakout	70	70	75	70	64	52	45	43
HMEP / VMPE3100	3086	450	In Duct	71	69	84	79	82	78	73	77
			Breakout	61	57	69	61	58	48	40	44
HMEP / VMPE3950	3958	420	In Duct	79	83	92	89	86	80	80	80
			Breakout	70	70	77	71	62	50	46	47
HMEP / VMPE4800	4829	450	In Duct	78	83	90	87	85	81	76	73
			Breakout	70	71	75	69	62	51	43	39
HMEP / VMPE5900	5902	450	In Duct	81	84	92	90	90	84	81	79
			Breakout	73	72	77	72	65	54	47	45
HMEP / VMPE7000	6975	450	In Duct	79	85	93	89	86	80	79	78
			Breakout	70	73	79	71	62	49	45	43
HMEP / VMPE8300	8234	450	In Duct	85	86	96	93	90	85	83	82
			Breakout	77	75	82	74	65	54	48	47
HMEP / VMPE9500	9493	450	In Duct	79	88	91	89	86	80	79	76
			Breakout	71	77	77	70	61	49	44	42

\* Sound power includes multiple fans where applicable.  
 HMEP= Horizontal MINItherm EC Plantroom, VMPE=Vertical MINItherm Plantroom.

## Performance Data Cooling Coil Horizontal & Vertical Plant Room



Model Number	Air Flow	Cooling Coil Rows / (Fins/m)	Air On DB / WB	Air Off DB / WB	Total Capacity kW	Sensible Capacity kW	Water Flow L/s	Entering / Leaving water temp	Water Pressure Drop kPa	Air Pressure Drop Pa
	L/s		°C	°C				°C		
HMEP / VMEP0650	670	6/472	23 / 17	10.4 / 10.3	14.4	10.3	0.6	6 / 12	43	189
			26 / 19	12.1 / 11.9	16.2	11.4	0.6	6 / 12	6	189
			35 / 24	13.4 / 13.2	28.2	17.7	1.1	6 / 12	17	189
HMEP / VMEP1100	1100	6/472	23 / 17	10.8 / 10.6	22.5	16.4	0.9	6 / 12	15	188
			26 / 19	11.1 / 11.0	29.7	20.0	1.2	6 / 12	25	188
			35 / 24	12.9 / 12.7	47.9	29.7	1.9	6 / 12	23	188
HMEP / VMEP1550	1540	6/472	23 / 17	10.4 / 10.3	33.0	23.7	1.3	6 / 12	38	189
			26 / 19	11.3 / 11.1	40.9	27.7	1.6	6 / 12	22	189
			35 / 24	12.9 / 12.7	67.0	41.5	2.7	6 / 12	27	189
HMEP / VMEP1950	1980	6/472	23 / 17	10.6 / 10.4	41.7	30.1	1.7	6 / 12	27	190
			26 / 19	11.4 / 11.3	51.6	35.2	2.1	6 / 12	19	190
			35 / 24	13.6 / 13.3	82.3	51.9	3.3	6 / 12	25	190
HMEP / VMEP2400	2410	6/472	23 / 17	10.4 / 10.3	51.7	37.0	2.1	6 / 12	45	189
			26 / 19	11.1 / 11.0	65.1	43.8	2.6	6 / 12	33	189
			35 / 24	12.9 / 12.7	104.9	65.0	4.2	6 / 12	42	189
HMEP / VMEP3500	3630	6/472	23 / 17	10.4 / 10.3	74.9	53.6	3.0	6 / 12	42	190
			26 / 19	11.1 / 11.0	94.3	63.4	3.7	6 / 12	31	190
			35 / 24	12.9 / 12.7	151.9	94.1	6.0	6 / 12	34	190
HMEP / VMEP3100	3086	6/472	23 / 17	10.4 / 10.3	66.2	47.4	2.6	6 / 12	37	190
			26 / 19	11.3 / 11.2	81.4	55.3	3.2	6 / 12	19	190
			35 / 24	13.0 / 12.8	133.6	82.9	5.3	6 / 12	23	190
HMEP / VMEP3950	3958	6/472	23 / 17	10.7 / 10.5	81.9	59.5	3.3	6 / 12	23	190
			26 / 19	11.1 / 11.0	106.9	71.9	4.2	6 / 12	36	190
			35 / 24	12.4 / 12.2	178.0	109.1	7.1	6 / 12	44	190
HMEP / VMEP4800	4829	6/472	23 / 17	10.4 / 10.3	103.6	74.2	4.1	6 / 12	40	190
			26 / 19	11.1 / 11.0	130.5	87.8	5.2	6 / 12	30	190
			35 / 24	12.9 / 12.7	210.2	130.2	8.3	6 / 12	31	190
HMEP / VMEP5900	5902	6/472	23 / 17	10.4 / 10.3	126.6	90.7	5.0	6 / 12	42	190
			26 / 19	11.1 / 11.0	159.5	107.3	6.3	6 / 12	29	190
			35 / 24	12.9 / 12.7	256.9	159.2	10.2	6 / 12	30	190
HMEP / VMEP7000	6975	6/472	23 / 17	10.4 / 10.3	149.6	107.2	5.9	6 / 12	42	190
			26 / 19	11.1 / 11.0	188.5	126.8	7.5	6 / 12	31	190
			35 / 24	12.9 / 12.7	303.6	188.1	12.0	6 / 12	34	190
HMEP / VMEP8300	8234	6/472	23 / 17	10.4 / 10.3	176.6	126.6	7.0	6 / 12	31	190
			26 / 19	11.4 / 11.3	214.7	146.4	8.5	6 / 12	20	190
			35 / 24	12.9 / 12.4	366.3	225.3	14.5	6 / 12	52	190
HMEP / VMEP9500	9493	6/472	23 / 17	10.4 / 10.3	203.6	145.9	8.1	6 / 12	44	190
			26 / 19	11.3 / 11.1	252.0	170.7	10.0	6 / 12	29	190
			35 / 24	12.3 / 12.1	431.5	263.5	17.1	6 / 12	76	190

Air flow and coil performance are at 2.5m/s coil face velocity.  
HMEP= Horizontal MINItherm EC Plantroom, VMEP=Vertical MINItherm Plantroom.

## Performance Data Heating Coil Horizontal & Vertical Plant Room

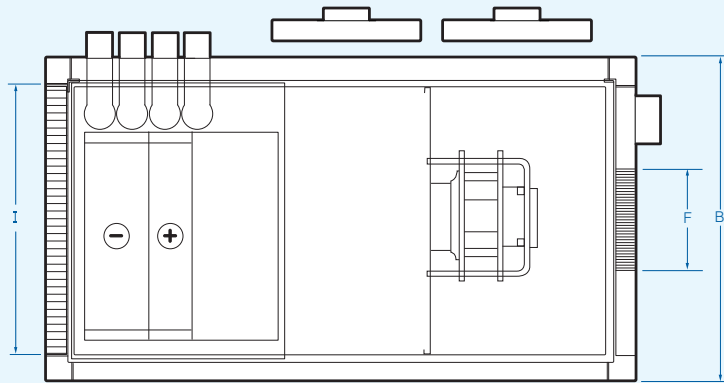


Model Number	Air Flow	Heating Coil Rows / (Fins/m)	Air On DB	Air Off DB	Total Capacity kW	Water Flow L/s	Entering / Leaving water temp	Water Pressure Drop kPa	Air Pressure Drop Pa
	L/s		°C	°C			°C		
HMEP / VMEP0650	670	1 / 394	12	28.5	13.5	0.2	80 / 65	1	18
HMEP / VMEP1100	1100	1 / 394	12	29.8	23.9	0.4	80 / 65	3	18
HMEP / VMEP1550	1540	1 / 394	12	30.3	34.5	0.6	80 / 65	8	18
HMEP / VMEP1950	1980	1 / 394	12	30.6	45.0	0.7	80 / 65	16	18
HMEP / VMEP2400	2410	1 / 394	12	30.9	55.5	0.9	80 / 65	27	18
HMEP / VMEP3500	3630	1 / 394	12	30.6	79.3	1.3	80 / 65	25	18
HMEP / VMEP3100	3086	1 / 394	12	30.1	68.1	1.1	80 / 65	7	18
HMEP / VMEP3950	3958	1 / 394	12	30.3	88.6	1.5	80 / 65	13	18
HMEP / VMEP4800	4829	1 / 394	12	30.6	109.7	1.8	80 / 65	22	18
HMEP / VMEP5900	5902	1 / 394	12	30.6	134.1	2.2	80 / 65	19	18
HMEP / VMEP7000	6975	1 / 394	12	30.6	158.4	2.6	80 / 65	25	18
HMEP / VMEP8300	8234	1 / 394	12	30.1	181.7	3.0	80 / 65	5	18
HMEP / VMEP9500	9493	1 / 394	12	30.1	209.5	3.4	80 / 65	7	18

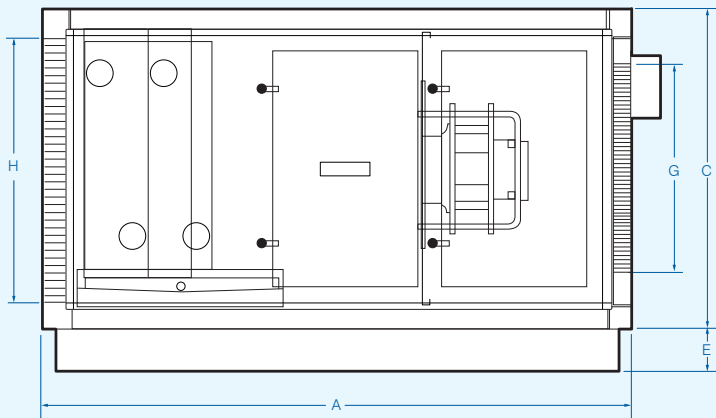
Air flow and coil performance are at 2.5m/s coil face velocity.  
HMEP= Horizontal MINItherm EC Plantroom, VMEP=Vertical MINItherm Plantroom.



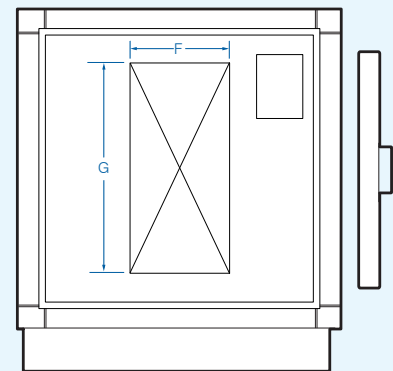
## Dimensional Data Horizontal Plant Room



Top View



Right Side View



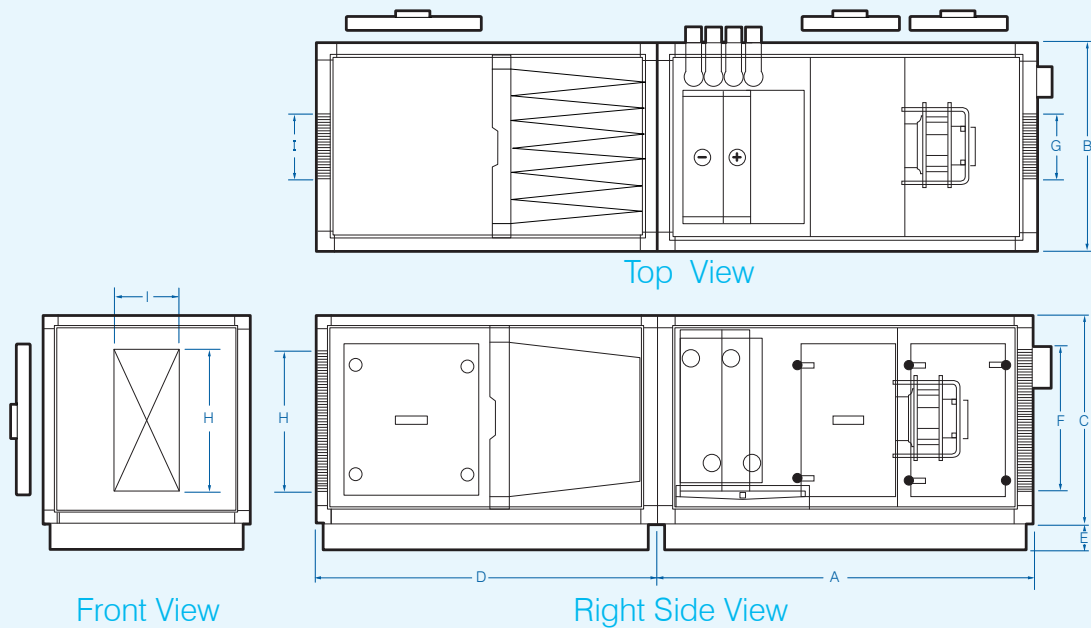
Back View

Model Number	Length	Width	Height	Base Height	S/A Opening*		R/A Opening#		Weight
	A	B	C	E	F	G	H	I	kg
HMEP0650-FCO	1468	810	810	100	300	570	660	660	177
HMEP1100-FCO	1468	1115	810	100	605	570	965	660	216
HMEP1550-FCO	1620	1420	810	100	910	570	1270	660	268
HMEP1950-FCO	1620	1725	810	100	1215	570	1575	660	309
HMEP2400-FCO	1620	2030	810	100	1520	570	1880	660	362
HMEP3100-FCO	1620	1420	1420	100	910	1180	1270	1270	406
HMEP3500-FCO	1620	2030	1115	100	1520	875	1880	965	428
HMEP3950-FCO	1620	1725	1420	100	1215	1180	1575	1270	461
HMEP4800-FCO	1925	2030	1420	100	1520	1180	1880	1270	552
HMEP5900-FCO	1925	2030	1725	100	1520	1485	1880	1575	648
HMEP7000-FCO	1925	2030	2030	100	1520	1790	1880	1880	711
HMEP8300-FCO	1925	2335	2030	100	1825	1790	2185	1880	794
HMEP9500-FCO	1925	2640	2030	100	2130	1790	2490	1880	909

All dimensions in mm.  
\* SA Opening = Outlet.  
# R/A Opening = Inlet.

# MINItherm

## Dimensional Data Filter & Mixing Box Horizontal Plant Room



Model Number	Length	Width	Height	FPL Length	Base Height	S/A Opening*		R/A Opening#		Weight
	A	B	C	D	E	F	G	H	I	kg
HMEP0650-FPL	1468	810	810	1315	100	300	570	570	570	272
HMEP1100-FPL	1468	1115	810	1315	100	605	570	570	875	333
HMEP1550-FPL	1620	1420	810	1315	100	910	570	570	1180	412
HMEP1950-FPL	1620	1725	810	1315	100	1215	570	570	1485	475
HMEP2400-FPL	1620	2030	810	1315	100	1520	570	570	1790	557
HMEP3100-FPL	1620	1420	1420	1315	100	1520	875	1180	910	625
HMEP3500-FPL	1620	2030	1115	1315	100	910	1180	570	1790	658
HMEP3950-FPL	1620	1725	1420	1315	100	1215	1180	1180	1215	709
HMEP4800-FPL	1925	2030	1420	1315	100	1520	1180	1180	1520	849
HMEP5900-FPL	1925	2030	1725	1315	100	1520	1485	1200	1520	997
HMEP7000-FPL	1925	2030	2030	1315	100	1520	1790	1200	1685	1094
HMEP8300-FPL	1925	2335	2030	1315	100	1825	1790	1200	1825	1221
HMEP9500-FPL	1925	2640	2030	1315	100	2130	1790	1200	2130	1398

\* S/A Opening = Outlet

All dimensions in mm.  
# R/A Opening = Inlet.