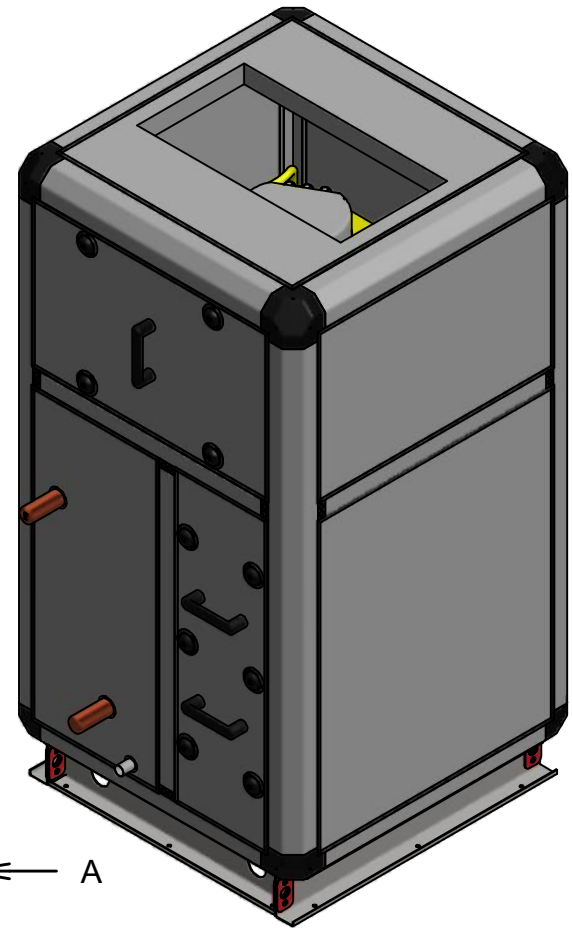
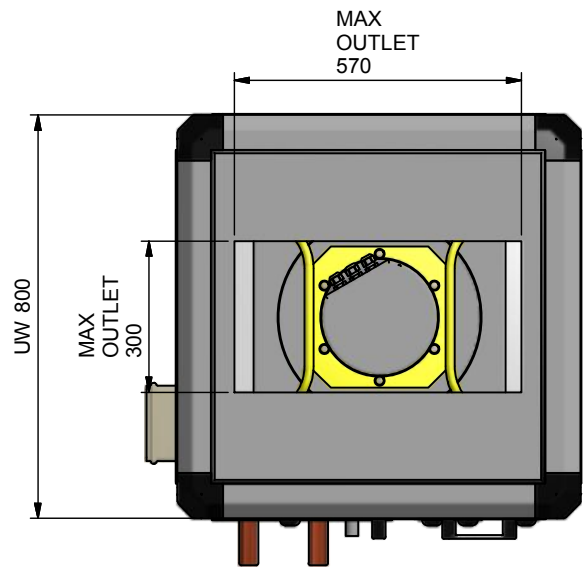


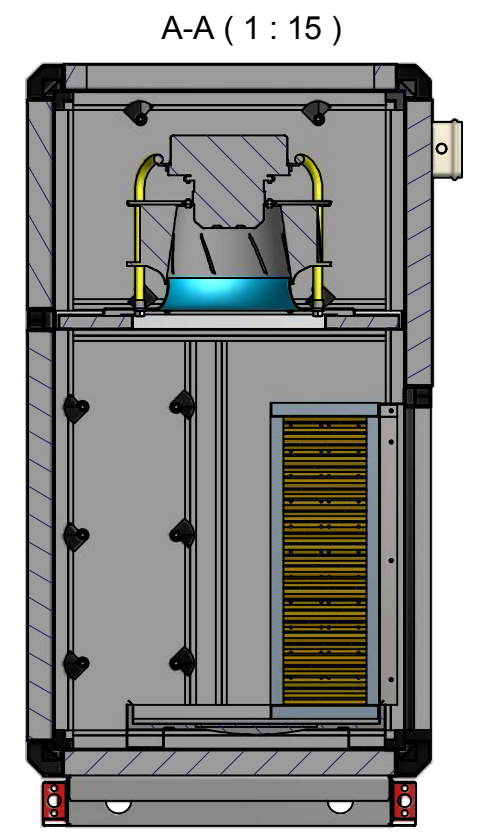
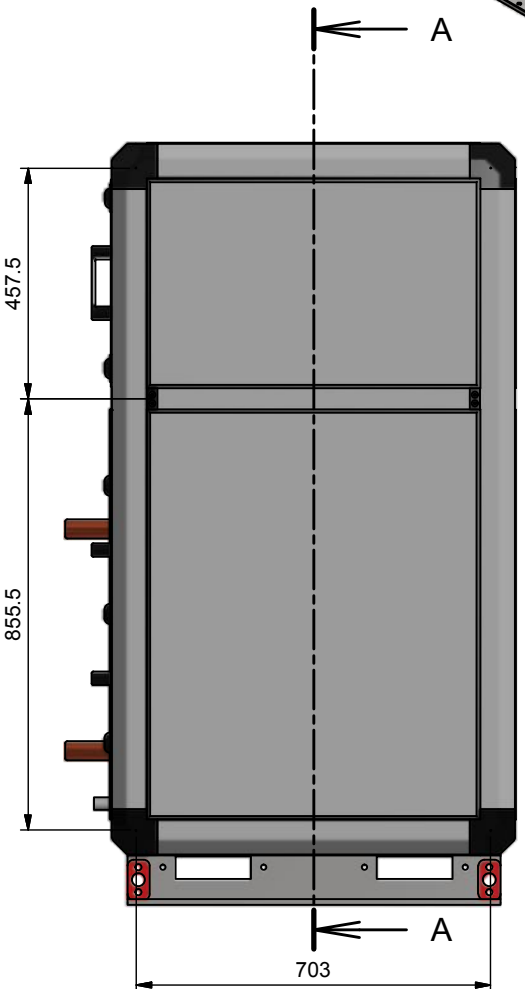
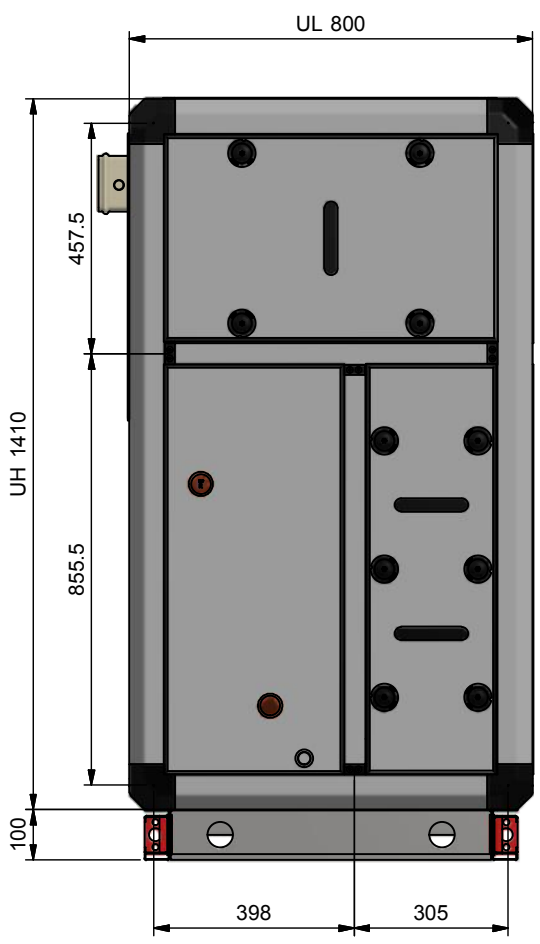
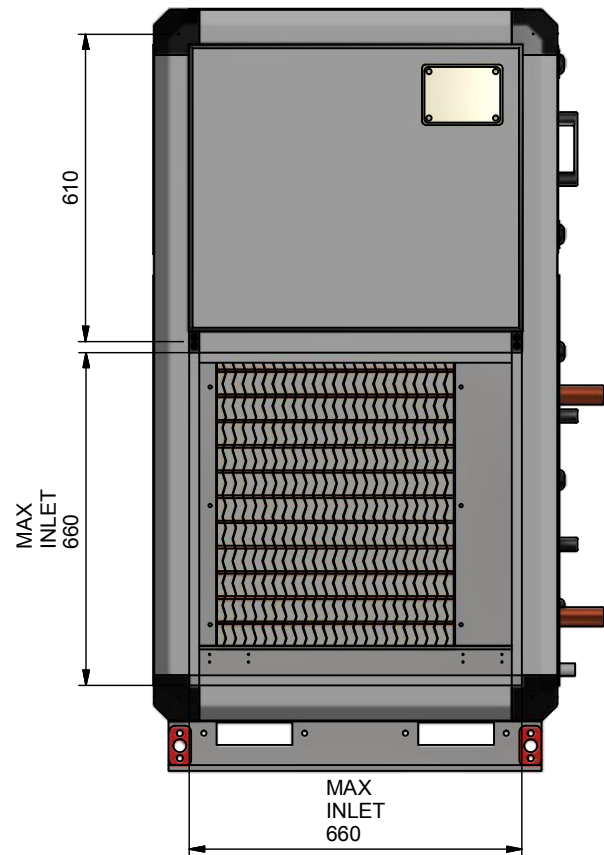
10 9 8 7 6 5 4 3 2 1



VIEW ISO 2 (1 : 15)



VIEW ISO 1 (1 : 15)



A-A (1 : 15)

UNLESS OTHERWISE SPECIFIED
DIMENSIONS ARE IN MILLIMETERS
BREAK AND DEBUR ALL SHARP EDGES

3rd ANGLE
PROJECTION
DO NOT SCALE DRAWING

Rev	By	Date	Description

AIR DESIGN PTY. LTD. © A.C.N. 010 185 958 45 NESTOR DRIVE, MEADOWBROOK, QUEENSLAND, AUSTRALIA. 4131 TELEPHONE: (07) 32 999 888 FACSIMILE: (07) 32 999 800							
DRAWN: QY CHKD: Sean APPRD: JT	DATE: 23/06/2015 DATE: -- DATE: --	General Layout VMEP 0650A-FCO, CABINET CASING		DRAWING NO: 868-0030-0650	REV: /01	SCALE: 1 : 15	SIZE: A3

10 9 8 7 6 5 4 3 2 1