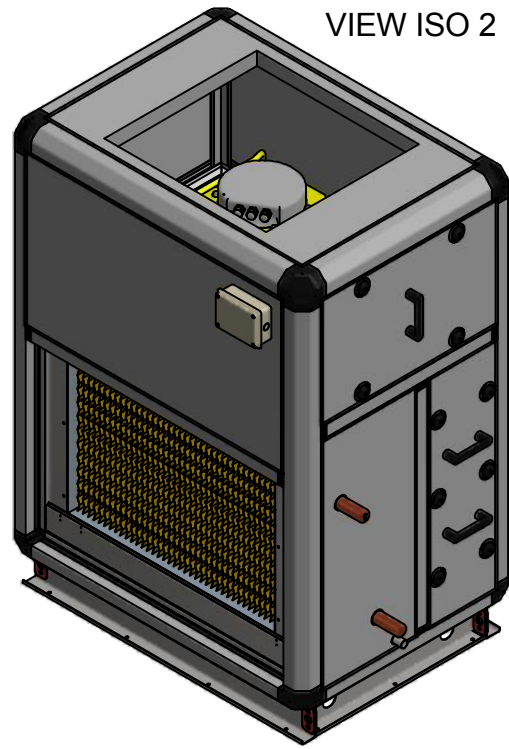
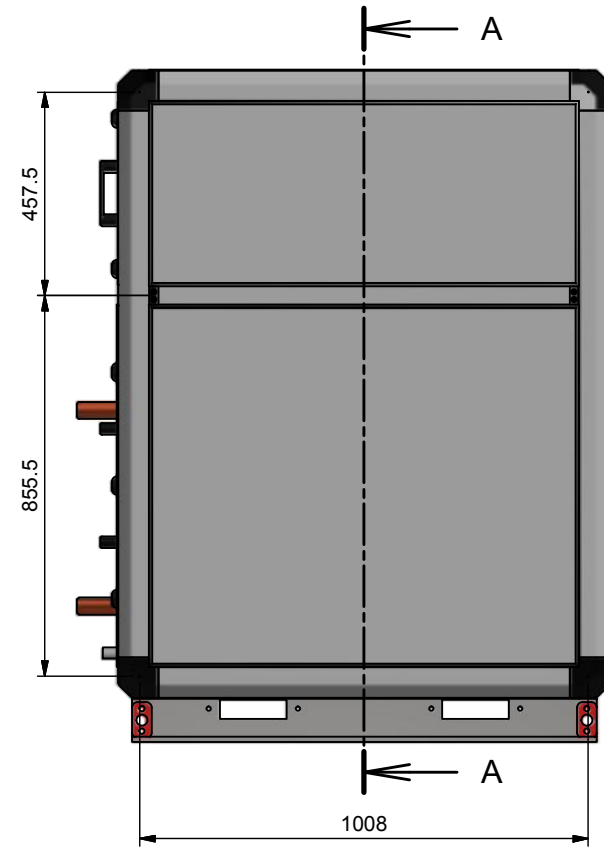
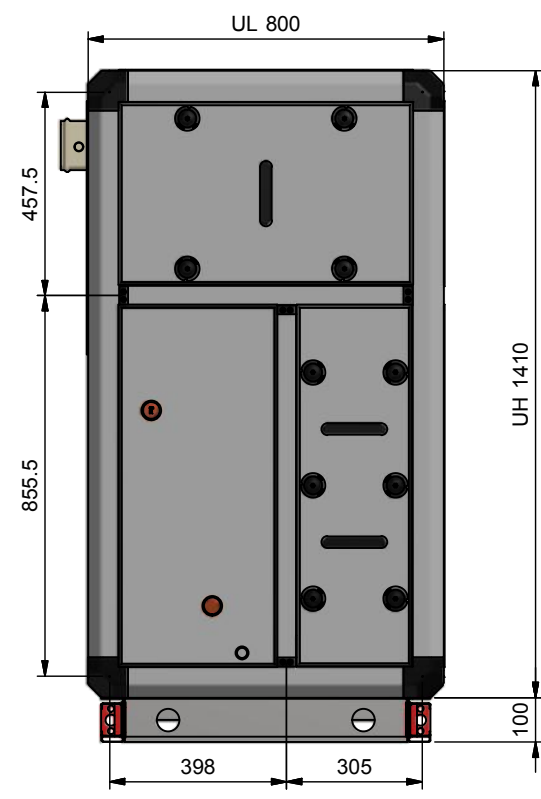
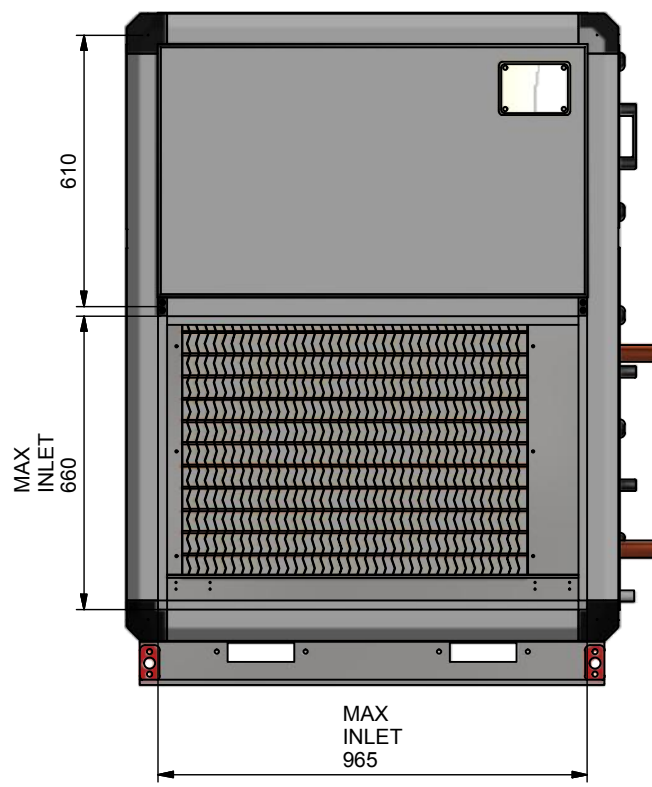
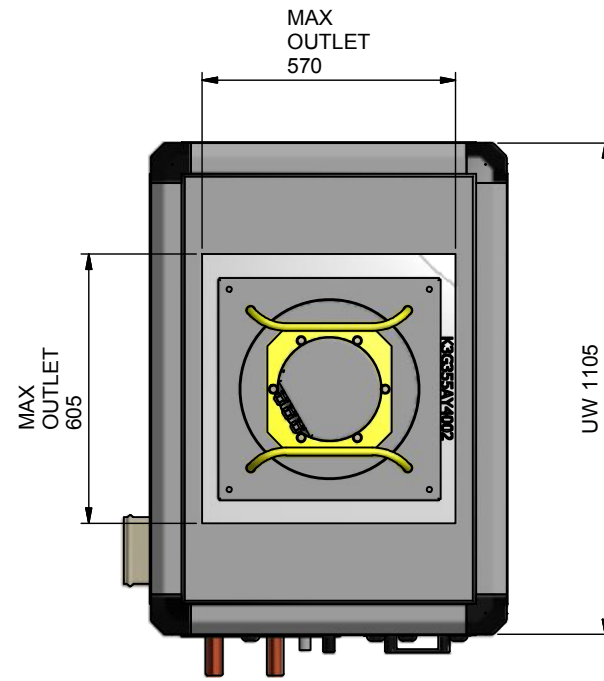
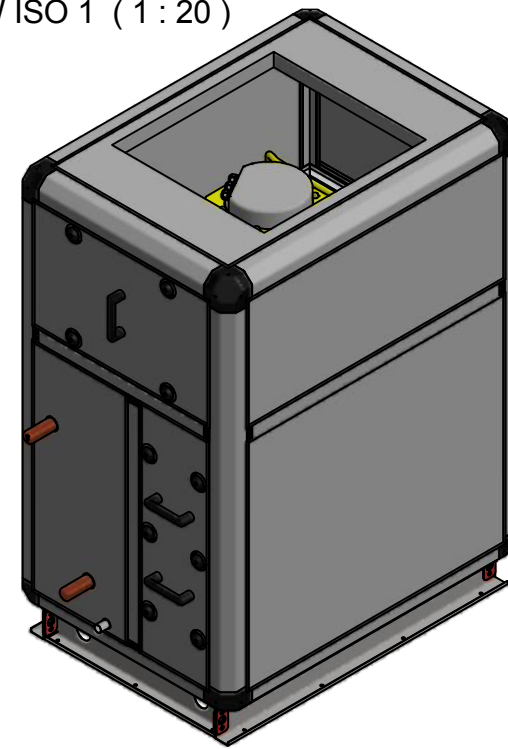


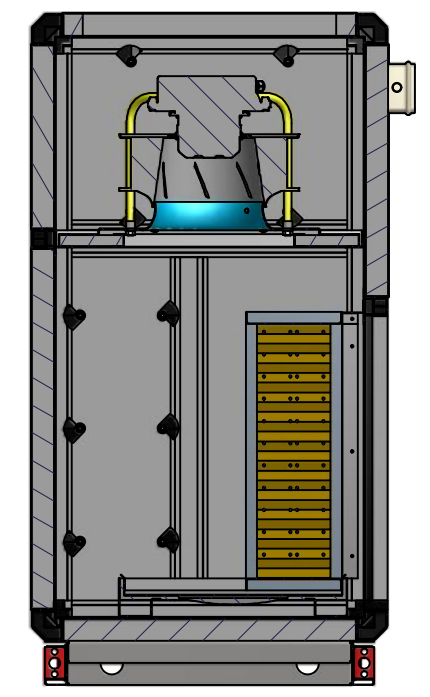
VIEW ISO 2 ( 1 : 20 )



VIEW ISO 1 ( 1 : 20 )



A-A ( 1 : 17 )



UNLESS OTHERWISE SPECIFIED  
DIMENSIONS ARE IN MILLIMETERS  
BREAK AND DEBUR ALL SHARP EDGES

3rd ANGLE  
PROJECTION

DO NOT SCALE DRAWING

Rev	By	Date	Description

AIR DESIGN PTY. LTD. © A.C.N. 010 185 958 45 NESTOR DRIVE, MEADOWBROOK, QUEENSLAND, AUSTRALIA. 4131 TELEPHONE: (07) 32 999 888 FACSIMILE: (07) 32 999 800					
DRAWN: QY	DATE: 23/06/2015	General Layout VMEP 1100A-FCO, CABINET CASING		REV: /01	SCALE: 1 : 17
CHKED: Sean	DATE: --			SIZE: A3	
APPRD: JT	DATE: --				
DRAWING NO: 868-0030-1100					